



19" cabinet system **aprack**



Edition 14

... the perfect shell for valuable electronics



**Our production possibilities: from standard to individual.
Ask us – we will be pleased to advise you!**



Punching, lasing

- lasing
- punching
- embossing
- marking



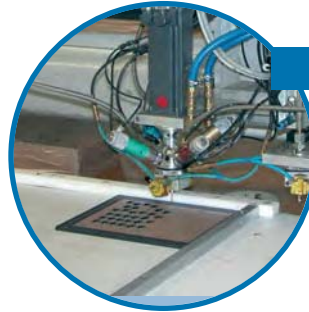
Welding

- laser welding
- stud welding
- customary welding



Milling

- pocket milling
- refining of edges
- milling from the solid



Foaming

- sealings up to IP 54
- gluing of panes



Deburring

- complete surface
- edges
- surface refinement



Printing/foils

- digital printing
- silk screening
- pad printing
- keypads
- decor foils



Injecting

- stud bolts
- nuts
- inside thread nuts
- earthing lugs



Coating

- powder painting
- wet painting
- anodising
- passivation
- bonderising
- nano coating



Bending

- free bending
- clinching
- settling
- automated bending with robots



Pre-assembly, cable tailoring

- switches, buttons, earthings, customised components
- complete or partial assembly
- acc. to customer's specification



the all-purpose cabinet

aprack®

Sample configurations



19" aprack cabinet system

- elegant design
- rack can be assembled very quickly (8 screws)
- 19" mountings with adjustable mounting depth
- light aluminium construction
- various accessories
- available with subdivided rear door with 3 U installation space, for installing plug-in units or fan modules, or for cable entry
- doors with turning lever lock
- numerous assembly options for extension components due to fixing notches in the extrusions
- free assembly service, also for custom configurations of extension and accessory parts

Specifications

Application:

cabinet system for installing 19" plug-in units, 19" subracks, shelves, etc. suitable for office, laboratory and industrial use

Construction:

sturdy aluminium extrusion frame with aluminium die-cast corners

Finish:

cabinet: RAL 7035 light grey
frame: RAL 7011 iron grey

Standards: installation dimensions acc. to IEC 60297-3-100

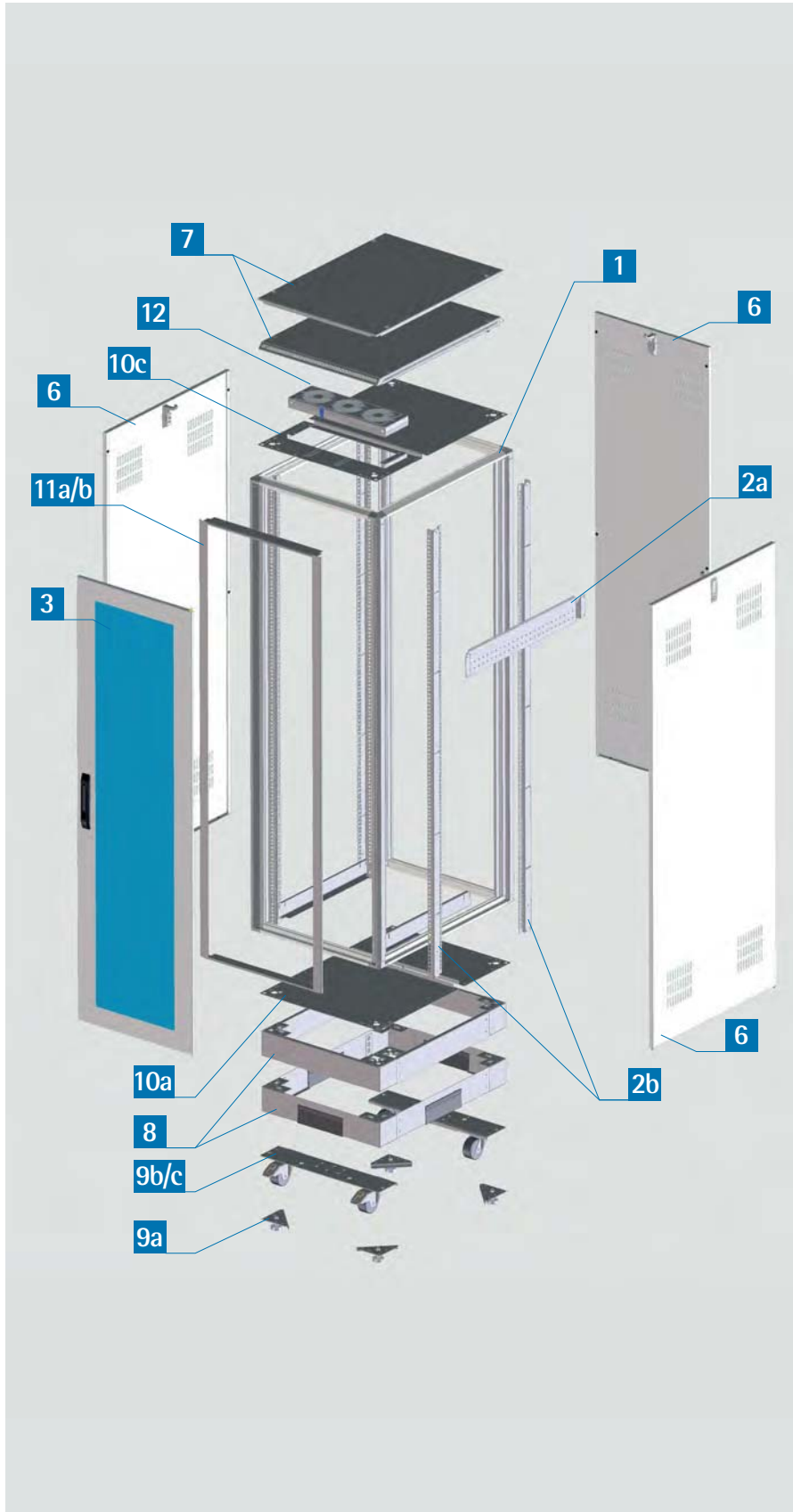
Degree of protection: IP 20

Delivery: assembled



Individual configuration:

Design your own customised cabinet.
Select your required cabinet components one at a time.



Item	Description	Page
1	Rack	5
2a	Tie-bar	5
2b	Vertical mounting (ASA)	5
3	Safety glass door	6
4	Door, solid (without fig.)	6
5	Short door, solid (without fig.)	6
6	Side / rear panel, ventilated	7
7	Top cover ventilated / solid	7
8	Base ventilated / solid / with cable entry	8
9a	Adjusting feet, set	8
9b	Castor set Ø 100 mm	8
9c	Castor set Ø 66 mm	8
10a	Cover plate, solid	9
10b	Cover plate for cable entry (without fig.)	9
10c	Cover plate for fan module	9
11a	Blind cover set for cabinets with recessed vertical mountings	10
11b	Blind panel set for cabinets with vertical mountings in the standard position	10
12	Basic fan module	14



1 Rack (mounted)

Material: aluminium extrusion

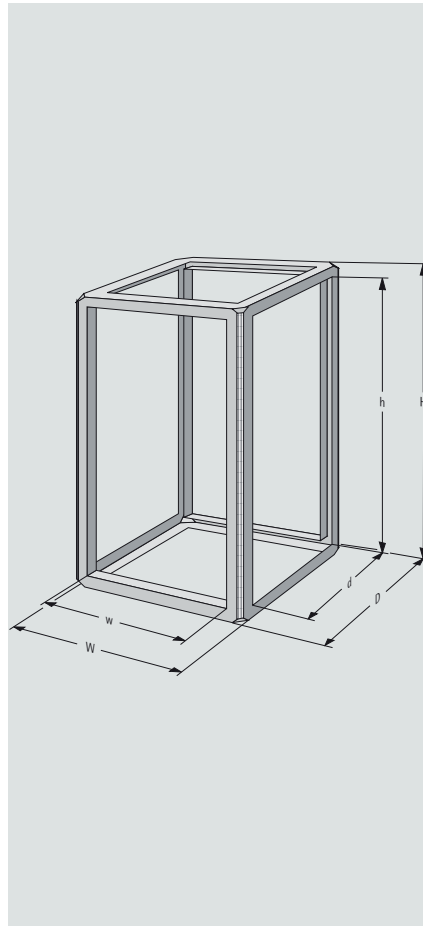
Finish: RAL 7011 iron grey

Height unit describes maximum mounting height!

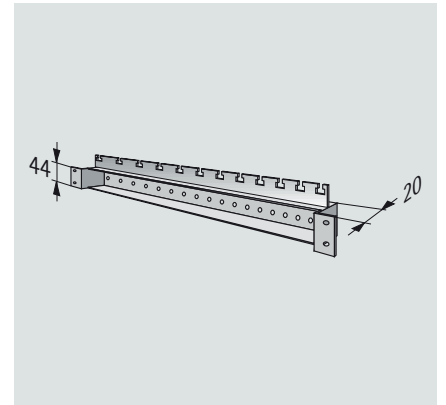
Scope of delivery

Pc.	Description
1	Bottom frame
1	Top frame
4	Vertical extrusions (19" vertical mountings not included)

H mm	U	W mm	D mm	Order no.
600	11	600	800	111-036
800	16	600	600	111-038
800	16	600	800	111-138-00
1000	20	600	600	111-040
1000	20	600	800	111-140
1200	25	600	600	111-042
1200	25	600	800	111-142-00
1600	34	600	600	110-316
1600	34	600	800	110-326
1800	38	600	600	110-318
1800	38	600	800	110-328
2000	43	600	600	110-320
2000	43	600	800	110-330



2a Tie-bar



- for variable installation of 19" vertical mountings inside 600mm wide cabinets
- can be used as a cable management bracket

Material:

sheet metal 2 mm

Finish:

galvanised

D mm	Order no.
600	110-089
800	110-090

2b Vertical mounting, ASA

- incl. assembly material

Material:

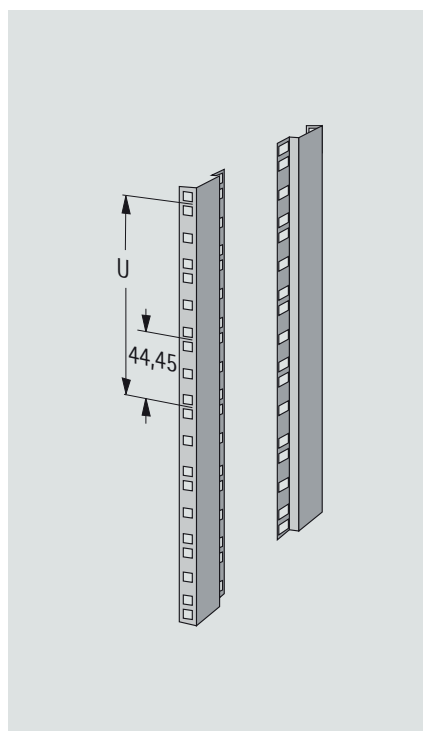
sheet metal 2 mm

Finish:

galvanised

The vertical mountings 12 U and 15 U are meant to be used for partly interior fitting.

H mm	U	Order no.
600	11	110-070-50
-	12	110-101-50
-	15	110-102-50
800	16	110-080-50
1000	20	110-090-50
1200	25	110-100-50
1600	34	110-103-50
1800	38	110-104-50
2000	43	110-105-50



Label for vertical mounting, ASA



- label for vertical mounting, ASA
- 1-55 U
- can be cut to height

Order no.
316-120-91



3 Safety glass door



- can be used as front or rear door
- clear safety glass 4 mm
- swing handle with push button
- profile semi-cylinder (optional)

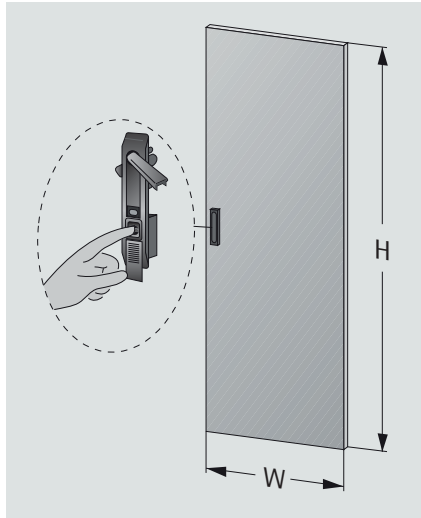
Material:

sheet metal 1,5 mm

Finish:

RAL 7035 light grey

4 Door, solid



- can be used as front or rear door
- swing handle with push button
- profile semi-cylinder (optional)

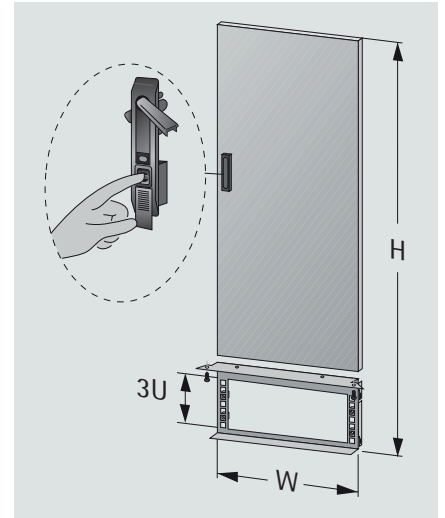
Material:

sheet metal 1 mm

Finish:

RAL 7035 light grey

5 Short door, solid



- can be used as front or rear door
- swing handle with push button
- profile semi-cylinder (optional)
- 3 U installation (under door or above)

Material:

sheet metal 1 mm

Finish:

RAL 7035 light grey

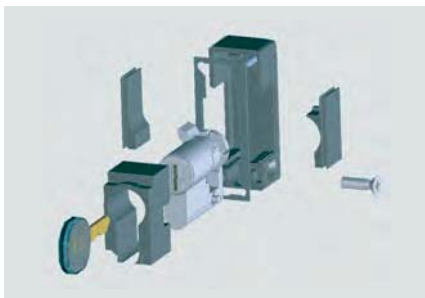
H mm	U	W mm	Order no.
800	16	600	110-570-08
1000	20	600	110-570-10
1200	25	600	110-570-12
1600	34	600	110-570-16
1800	38	600	110-570-18
2000	43	600	110-570-20

H mm	U	W mm	Order no.
600	11	600	110-251-00
800	16	600	110-253
1000	20	600	110-255-00
1200	25	600	110-254
1600	34	600	110-271
1800	38	600	110-272
2000	43	600	110-274

Cable entry on page 17!

H mm	U	W mm	Order no.
1600	34	600	110-634-00
1800	38	600	110-635-00
2000	43	600	110-636-00

Profile semi-cylinder



- profile semi-cylinder with lock EK333 for swing handle
- useable for positions **3**, **4** and **5** in exchange of push button

Order no.
676-316-00



6 Side / rear panel, ventilated

- can be used as side or rear panel
- with lock EK 333

Material:

sheet metal 1 mm

Finish:

RAL 7035 light grey



H mm	W/D mm	Order no.
600	600	111-116
600	800	110-193-10
800	600	111-118
800	800	110-194-00
1000	600	111-120
1000	800	110-195-00
1200	600	111-122
1200	800	110-196-00
1600	600	110-184
1600	800	110-190
1800	600	110-185
1800	800	110-191
2000	600	110-186
2000	800	110-192

7 Top cover

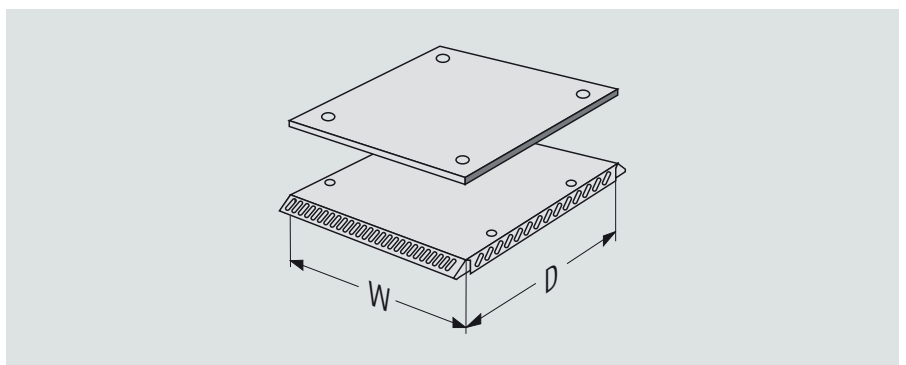
- ventilated (H=25mm) or closed

Material:

aluminium 1,5 mm

Finish:

RAL 7035 light grey



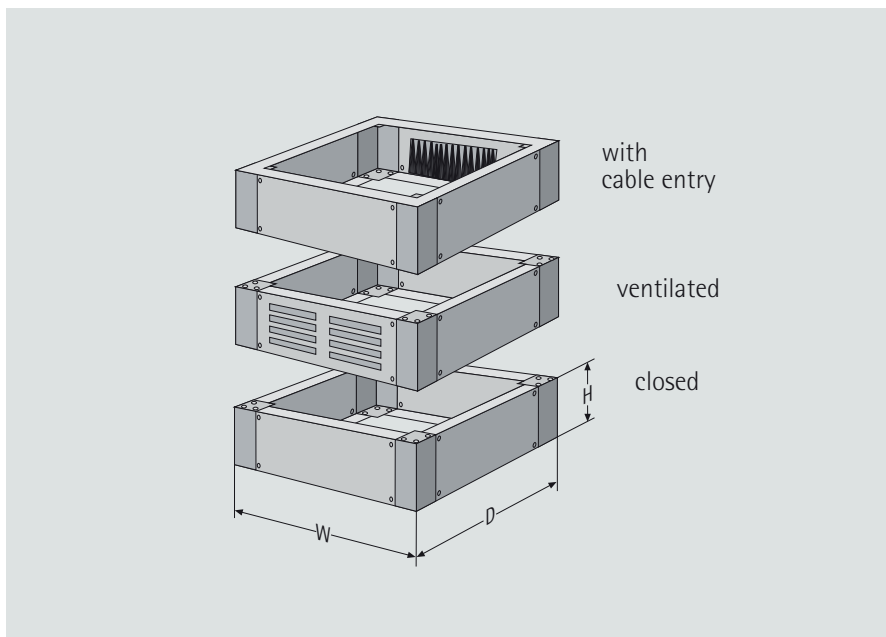
W mm	D mm	Description	Order no.
600	600	closed, bolted	110-051-20
600	600	with ventilation slots	110-060-00
600	800	closed, bolted	110-052-20
600	800	with ventilation slots	110-061-00



8 Base

- Base, H=100 mm

Material:
sheet metal 1,5/2 mm
Finish:
RAL 7011 iron grey



W mm	D mm	Description	Order no.
600	600	closed	110-004
600	800	closed	110-005
600	600	ventilated	110-106
600	800	ventilated	110-107
600	600	with cable entry	110-206-00
600	800	with cable entry	110-207-00

9a Adjusting feet (4 pcs.)



- incl. base plate and assembly material
- to attach to the rack **1** or the base **8**

Material:
sheet metal 2,5 mm
Finish:
galvanised

Order no.
110-012

9b Castor set Ø 100 mm



- fastened directly to the cabinet
- castor diameter: d=100 mm
- carrying capacity per castor: 100kg
- cabinet height + 118 mm
- with brake (2x)
- set = 4 castors

Material:
holding plate: sheet metal 2,5 mm
Finish:
galvanised

Order no.
110-603-20

9c Castor set Ø 66 mm



- fastened directly to the cabinet
- castor diameter: d=66 mm
- carrying capacity per castor: 70 kg
- cabinet height + 82 mm
- with brake (2x)
- set = 4 castors

Material:
holding plate: sheet metal 2,5 mm
Finish:
galvanised

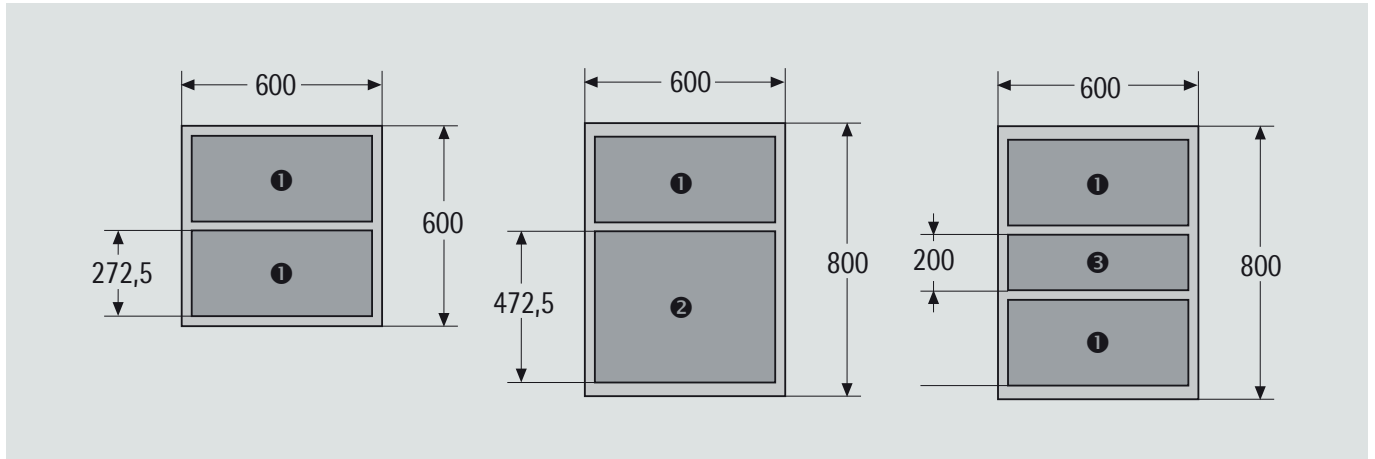
Order no.
110-603-10



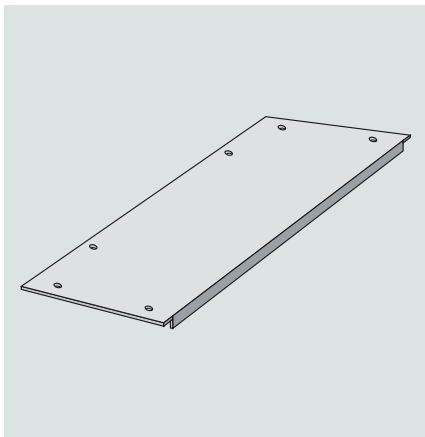
10 Cover plates

- cover plates to cover the top or bottom openings

The following cover plate combinations (sizes 1-3) are possible:



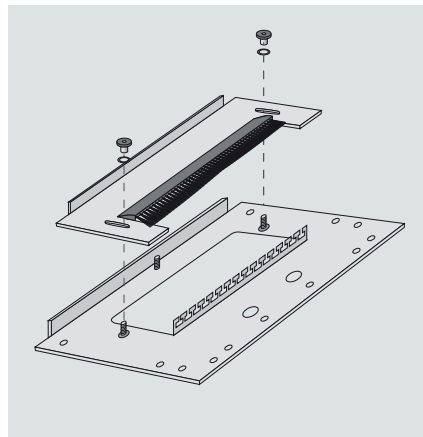
10a Cover plate, solid



Material:
sheet metal 1,5 mm
Finish:
RAL 7035 light grey

Size	Order no.
1	110-700-00
2	110-703-00
3	110-714-00

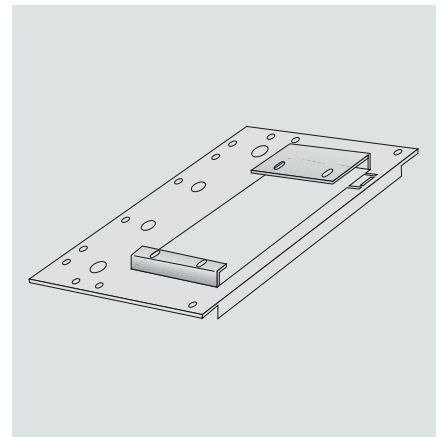
10b Cover plate for cable entry



Material:
sheet metal 1,5 mm
Finish:
RAL 7035 light grey

Size	Order no.
1	110-711-00

10c Cover plate for fan module



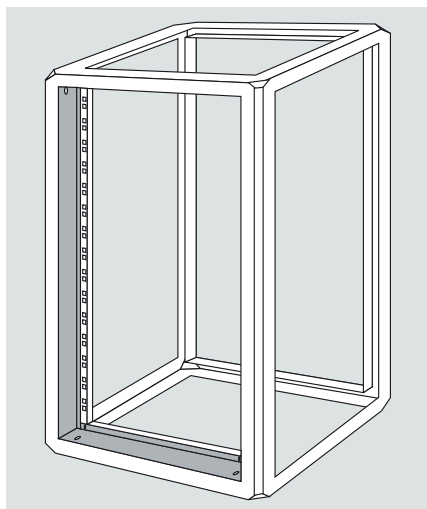
- for mounting of fan modules **12**

Material:
sheet metal 1,5 mm
Finish:
RAL 7035 light grey

Size	Order no.
1	110-708-10



11a Blind cover set for cabinets with recessed vertical mountings



- for masking the opening between the vertical mountings and rack
- for cabinets with 32 mm recessed vertical mountings
- distance between glass door and front plate = 62 mm

Material:

aluminium 2 mm

Finish:

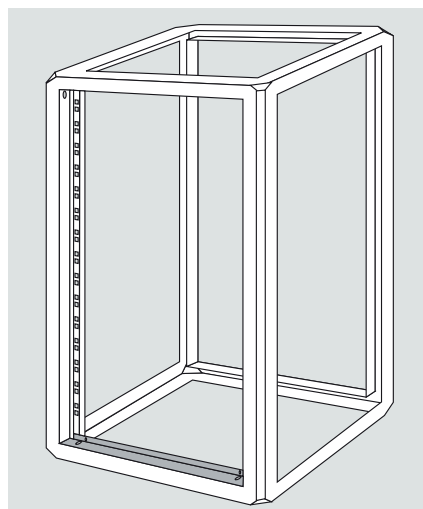
RAL 7011 iron grey or
RAL 7035 light grey

Scope of delivery

Pc.	Description
2	Panels, vertical
2	Panels, top/bottom
	Assembly material

H mm	Colour	Order no.
600	RAL 7035	110-406-50
600	RAL 7011	110-406-02
800	RAL 7035	110-408-00
800	RAL 7011	110-408-02
1000	RAL 7035	110-410-00
1000	RAL 7011	110-410-02
1200	RAL 7035	110-412-00
1200	RAL 7011	110-412-02
1600	RAL 7035	110-416-00
1600	RAL 7011	110-416-02
1800	RAL 7035	110-418-00
1800	RAL 7011	110-418-02
2000	RAL 7035	110-420-00
2000	RAL 7011	110-420-02

11b Blind panel set for cabinets with vertical mountings in the standard position



- for masking the opening between the vertical mountings and rack
- for cabinets with vertical mountings in the standard position
- distance between glass door and front plate = 30 mm

Material:

aluminium 2 mm

Finish:

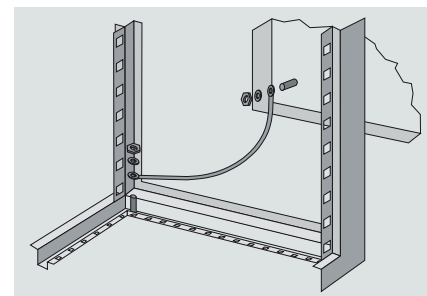
RAL 7011 iron grey or
RAL 7035 light grey

Scope of delivery

Pc.	Description
2	Panels, top/bottom
	Assembly material

H mm	Colour	Order no.
600	RAL 7035	110-407-00
600	RAL 7011	110-407-05
800	RAL 7035	110-406-00
800	RAL 7011	110-406-05
1000	RAL 7035	110-407-00
1000	RAL 7011	110-407-05
1200	RAL 7035	110-406-00
1200	RAL 7011	110-406-05
1600	RAL 7035	110-406-00
1600	RAL 7011	110-406-05
1800	RAL 7035	110-407-00
1800	RAL 7011	110-407-05
2000	RAL 7035	110-406-00
2000	RAL 7011	110-406-05

Earthing kit

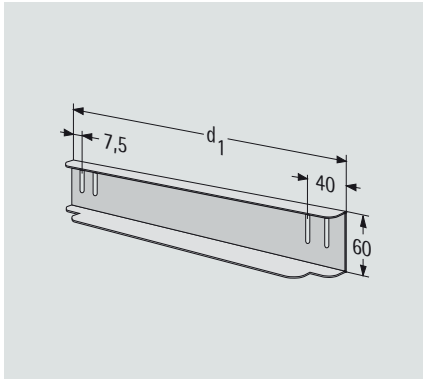


- allows an earthing of all cabinet components in compliance with VDE

Order no.
110-533-10



Sliding rail, adjustable height



- for installing on a front or rear vertical mounting
- order unit: 1 pair
- incl. assembly material

Material:

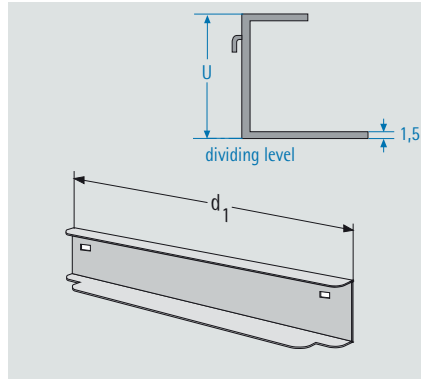
sheet metal 1,5 mm

Finish:

galvanised

Cabinet depth (D)	d1 mm	Order no.
600	420	110-096
800	520	110-097
800	620	110-098

Sliding rail, hanging



- to hang on a front or rear vertical mounting
- order unit: 1 pair
- not intended for the installation of subracks

Material:

sheet metal 1,5 mm

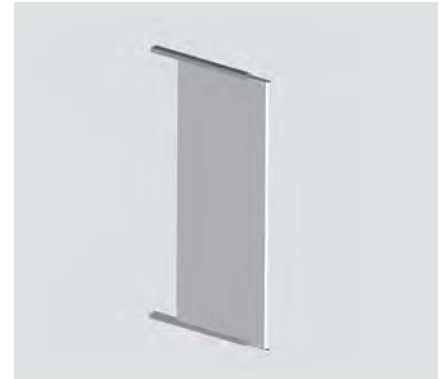
Finish:

galvanised

The support surface for built-in plug-in units is 1.5mm above the partition. Pay attention to the offset between the plug-in unit front plate and chassis.

Cabinet depth (D)	d1 mm	Order no.
600	400	110-086-10
800	500	110-087-00
800	600	110-088-10

Mounting plate



- for individual mounting of components
- fixing to rack

Material:

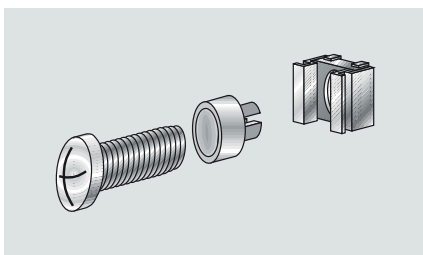
sheet metal 2 mm

Finish:

galvanised

H mm	W mm	Order no.
800	600	110-107-08
1000	600	110-107-10
1200	600	110-107-12
1400	600	110-107-14
1600	600	110-107-16
1800	600	110-107-18
2000	600	110-107-20

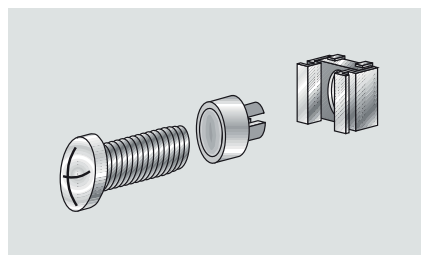
M5 screw set (50 pieces)



- required for installing 19" components in cabinets or enclosures
- included in delivery:
 - 50 screws, M 5 x 12
 - 50 captive nuts, M 5-8
 - 50 decorative washers, M 5 with collar

Order no.
630-991

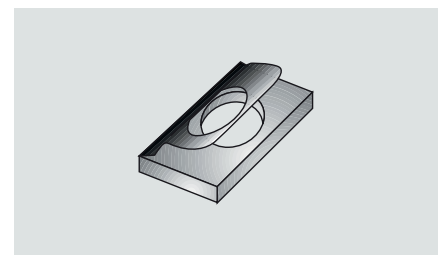
M6 screw set (50 pieces)



- required for installing 19" components in cabinets or enclosures
- included in delivery:
 - 50 screws, M 6 x 16
 - 50 captive nuts, M 6-8
 - 50 decorative washers, M 6 with collar

Order no.
630-994

Spring nut, M5

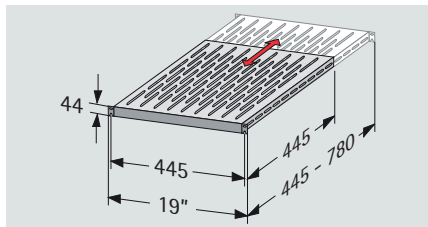


- for sliding into the profile grooves of the rack **1**
- included in delivery: 50 pieces

Order no.
630-015-50



19"-shelf 1 U "fixed" with 19" mounting



- fixed mounting
- depth variable due to VARIplain technology
- telescopic: 445 - 780 mm (see figure)
- easy one-man installation due to open long hole in the 19" front (hinged)

Material:

sheet metal 2 mm

Finish:

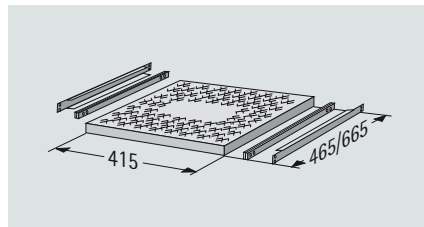
RAL 7035 light grey

Load capacity:

80 kg (distributed load)

Order no.
316-036-99

Shelf1 U for cabinets with 19" mounting, extractable



- extractable
- ventilated
- high quality telescopic rails with maximum extension, hold-in and disconnect
- includes assembly material
- mounting on vertical mounting

Material:

sheet metal 1,5 mm

Finish:

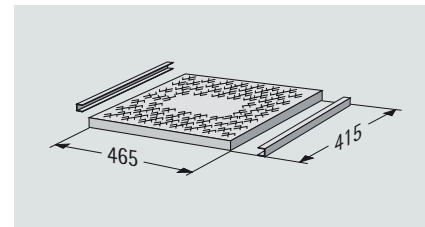
RAL 7035 light grey

Load capacity:

approx. 40kg

D mm	d mm	Order no.
600	465	110-876-10
800	665	110-877-12

Shelf 1 U for cabinets without 19" mounting



- fixed installation or extractable (high quality telescopic rails with maximum extension, hold-in and disconnect)
- for depths D=600 mm and D=800 mm
- ventilated
- includes assembly material
- can only be mounted to the rack

Material:

sheet metal 1,5 mm

Finish:

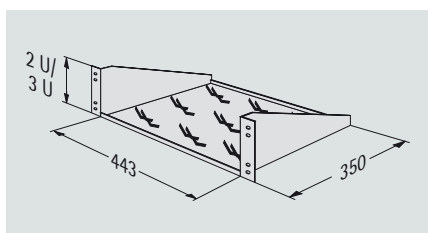
RAL 7035 light grey

Load capacity:

approx. 40kg

Description	Order no.
fixed	110-870-10
extractable	110-873-10

Shelf, for cabinets with only one 19" vertical mounting



- fixed installation
- mounts easily onto the front or rear 19" mounting brackets
- ventilated
- incl. assembly material

Material:

sheet metal 1,5 mm

Finish:

RAL 7035 light grey

Load capacity:

15 kg

U	Order no.
2	315-810-20
3	315-810-00



19" plastic cover panel 1U

- air separation function: cost-saving and very effective option for recuding energy costs in data centres
- visual upgrade of the rack by concealing free 19" surfaces
- stylish design due to rounded front surface of the panel
- short assembly time: the blind panel is easily clipped into the 19" grid without tools
- can be removed and reinserted at any time wear-free and without tools
- protection against dust entry
- fire protection classification to UL 94 V-0
- weigth-saving in comparison to customary metal panels

Material:

Lexan 920, fire protection classification acc. to UL94 V-0, conform to RoHS

Finish:

RAL 7016 anthracite grey or RAL 7035 light grey

Delivery:

Set = 10 pieces
Set = 136 pieces



RAL 7016 anthracite grey

RAL 7035 light grey

Colour	Delivery	Order no.
RAL 7016 anthracite grey	Set = 10 pieces	213-156-25
RAL 7035 light grey	Set = 10 pieces	213-156-30
RAL 7016 anthracite grey	Set = 136 pieces	213-156-40
RAL 7035 light grey	Set = 136 pieces	213-156-45

19" cover panel, sheet metal

Material:

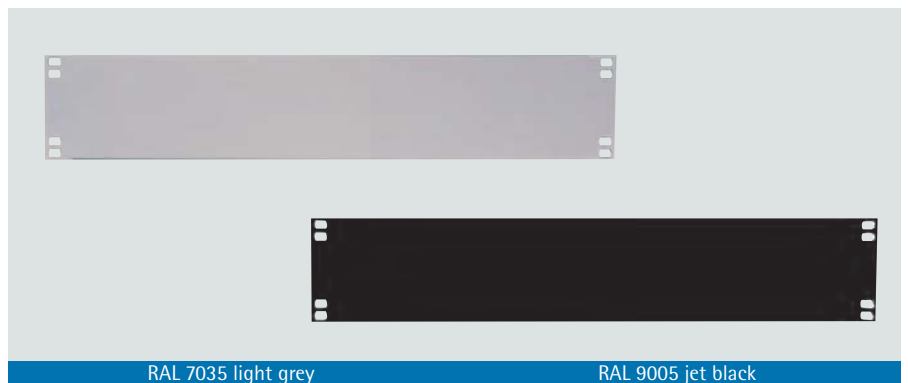
sheet metal 1,5 mm

Finish:

RAL 7035 light grey or RAL 9005 jet black

Dimensions (H x W x D):

1-4 U x 482.6 x 10 mm



RAL 7035 light grey

RAL 9005 jet black

U	Colour	Order no.
1	RAL 7035 light grey	213-156-00
1	RAL 9005 jet black	213-156-10
2	RAL 7035 light grey	213-158-00
2	RAL 9005 jet black	213-158-10
3	RAL 7035 light grey	213-159-00
3	RAL 9005 jet black	213-159-10
4	RAL 7035 light grey	213-160-00
4	RAL 9005 jet black	213-160-10



12 Basic fan module

- unrivalled light weight
- budget-priced
- simple mounting
- genius modularity – registered design
- suitable for all kinds of rack and cabinet systems
- high durability and reliability due to premium fans
- integrated fan cover
- most modern plastics of classification UL 94 V-0 fulfil highest requirements of fire protection
- basic module: up to 3 fans 230 V
- basic module with speed control: 3 fans 12 V



Material:

Polycarbonate UL 94 V-0

Finish:

black (similar to RAL 9005 jet black)

Dimensions (H x W x D):

44 x 450 x 140 mm

Power cords are not included in delivery - please order separately!

Description	Description	Voltage V	Air flow rate m ³ /h	Order no.
Fan module 1-fold	Basic module	230	160	230-500-01
Fan module 2-fold	Basic module	230	320	230-500-02
Fan module 3-fold	Basic module	230	480	230-500-03
Fan module 3-fold	Speed-controlled	12	up to 450	230-500-53

Power cord, standard

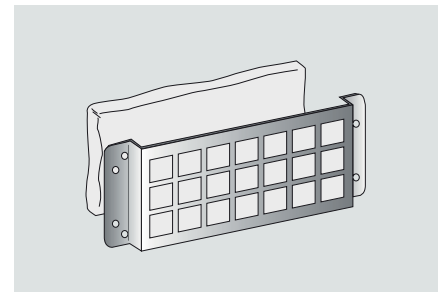


Power cord with thermostat



- with thermostat 0-60°C

Filter set for fan module



Material:

filter fleece / sheet metal galvanised
1 mm

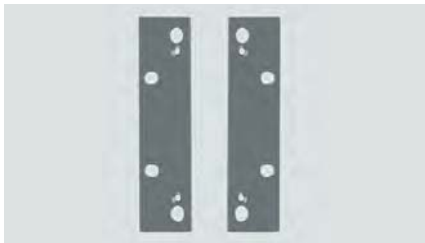
Connection	L mm	Order no.
Earthed plug	3000	640-044-05
Rubber connector	3000	230-500-15
Without plug	3000	230-500-16

Connection	L mm	Order no.
Earthed plug	3000	230-500-04
Rubber connector	3000	230-500-05
Without plug	3000	230-500-06

Order no.
316-100-99



Installation set for fan module



- 3U kit for installation of the fan modules **12** on a 19" level

Material:

sheet metal 1,5 mm

Finish:

RAL 7035 light grey

Order no.
230-500-24

19" temperature indicator/ regulator 1U



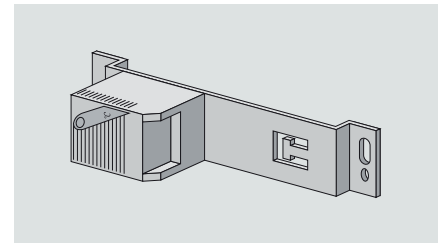
- the module is equipped with a temperature indicator and temperature sensor
- mounting material included (excl. power cord)
- temperature indicator range: -20 °C to 99 °C
- regulator adjustment range: -20 °C to 70 °C
- operating voltage: 230 V
- switch contacts, isolated: 250 V, 8 A (2x)
- connection: terminal strip

Material: sheet metal/plastic

Finish: RAL 7035 light grey

Order no.
213-148-00

Thermostat, 230V



- with fixing brackets and integrated strain relief
- control range 0 – 60°C
- universal fixing to rack or 19" mounting
- incl. assembly material

Order no.
110-804

Multiple socket strips



- with 19" mounting
- with overload protection
- VDE, CE, GS conform
- Schuko and UTE standard sockets
- 230 V AC, 16 A

Description	Modules	Order no.
Schuko	8 sockets	591-402-00
UTE	7 sockets	591-402-60

Handle set



- well-designed handle set
- for a better handling of the rack
- flexible adjustment of height

Material:

handle hold: aluminium, anodised

fixing of handle: sheet metal

Finish:

fixing of handle: RAL 7035 light grey

Order no.
110-715-20

TFT display bracket



- easy assembly of TFT displays
- adjustment by friction hinge
- delivery without TFT display

Material:

sheet metal 1,5/2 mm

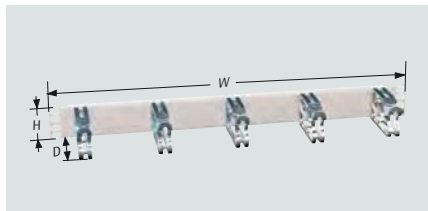
Finish:

RAL 7035 light grey

Order no.
110-012-06



19" cable guide panel 1 U/2 U with metal hoops



- for clear and neat horizontal cable routing in the 19" level
- incl. 5 cable hoops with assembly material

Finish:

panel: RAL 7035 light grey or RAL 9005 jet black

cable hoops: chromed

Dimensions (H x W x D):

44/88 x 482,6 x 90 mm

U	Colour	Order no.
1	RAL 7035	213-145-25
1	RAL 9005	213-145-26
2	RAL 7035	213-145-28
2	RAL 9005	213-145-29

19" cable guide panel 1 U with plastic hoops



- for clear and neat horizontal cable routing in the 19" level
- incl. 5 cable hoops with assembly material

Finish:

RAL 7035 light grey or RAL 9005 jet black

Dimensions (H x W x D):

44 x 482,6 x 60 mm

Colour	Order no.
RAL 7035	213-145-00
RAL 9005	213-145-30

19" switch panel, plastic 1 U



- for clear and neat horizontal cable routing in the 19" level
- weight-saving in comparison to customary metal panels
- fire protection classification to UL 94 V-0

Material:

plastic (polyamide)

Finish:

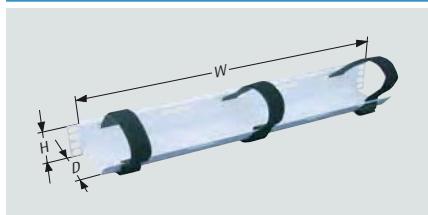
black (similar to RAL 9005)

Dimensions (H x W x D):

44 x 482,6 x 66 mm

Order no.
213-145-80

19" cable guide panel 1 U with velcro® strips



- for clear and neat horizontal cable routing in the 19" level with velcro® fixing
- incl. 3 velcro® strips and assembly material

Finish:

RAL 7035 light grey or RAL 9005 jet black

Dimensions (H x W x D):

44 x 482,6 x 90 mm

Colour	Order no.
RAL 7035	213-161-00
RAL 9005	213-161-10

19" cable routing panel with cover panels 1 U / 2 U



- for clear and neat horizontal cable routing in the 19" level
- with adjustment options
- removable front panel

Material:

sheet metal

Finish:

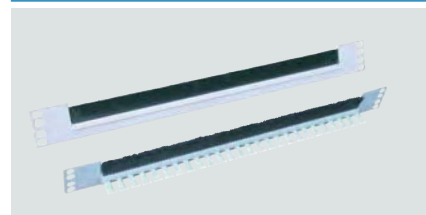
RAL 7035 light grey or RAL 9005 jet black

Dimensions (H x W x D):

44/88 x 482,6 x 100 mm

U	Colour	Order no.
1	RAL 7035	213-145-65
1	RAL 9005	213-145-95
2	RAL 7035	213-145-68
2	RAL 9005	213-145-98

19" cable duct 1 U with brush and strain-relief comb



- for cable feed through
- with brush and strain relief
- mounting on 19" level

Material:

sheet metal/plastic

Finish:

RAL 7035 light grey or RAL 9005 jet black

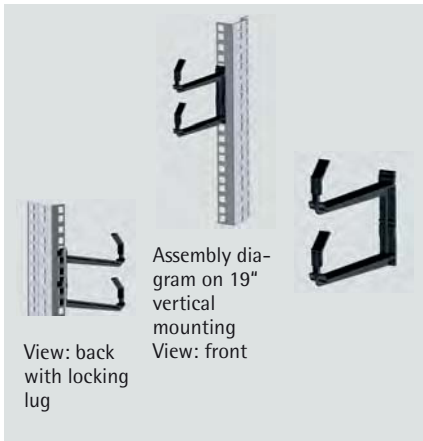
Dimensions (H x W x D):

44 x 482,6 x 27 mm

Colour	Order no.
RAL 7035	213-146-00
RAL 9005	213-146-10



"Universal" cable clip set

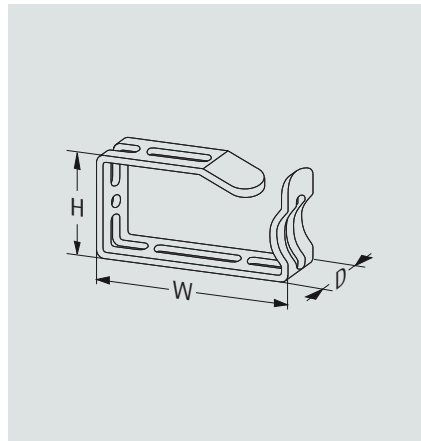


- to clip into 19" standard vertical mounting
- set = 10 pieces

Material:
plastic, black

Order no.
640-030-35

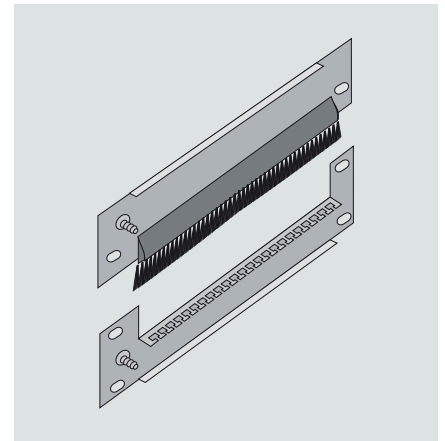
Cable hoop, metal



- for positioning cables vertically on the 19" frame

Dimensions (H x W x D) mm	Order no.
47 x 85 x 23	640-036-27
66 x 125 x 23	640-036-37
88 x 125 x 23	640-036-47

19" cable entry, 3 U



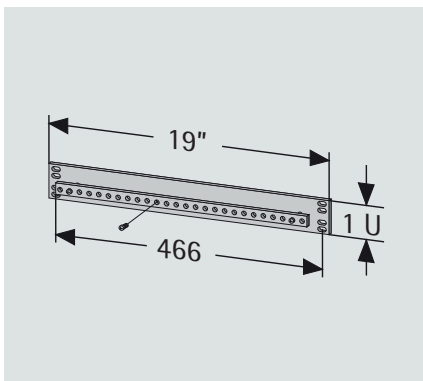
- with built-in cable management bracket and brush
- incl. assembly material

Material:
sheet metal 1,5 mm
Finish:
RAL 7035 light grey

The cable entry opening can be installed in the 3 U installation space underneath the short rear door.

Order no.
110-713-00

Potential equalisation rail

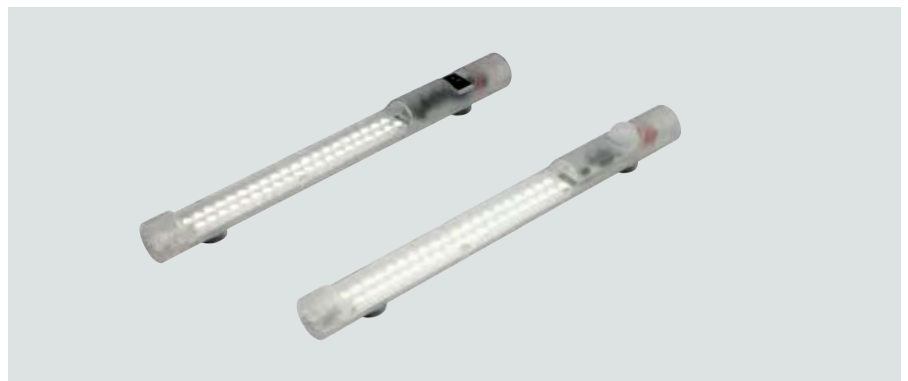


- for 19" or cabinet installation
- connection: 27 x M 5
- rail cross-section: 50 mm²

Material:
sheet metal/copper

Order no.
640-028-00

LED cabinet light



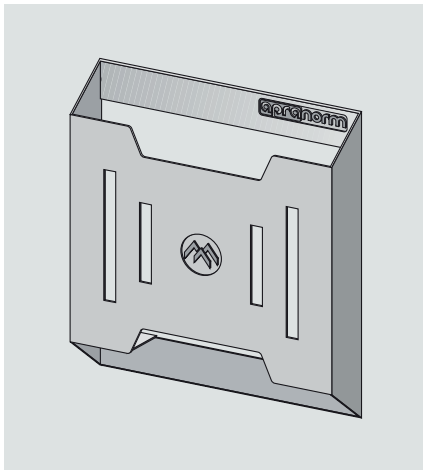
- cost-optimised LED technology with a power consumption of 5W (light intensity equivalent to a 75W light bulb)
- internal power supply unit with wide range voltage 100-230V AC
- long-life and maintenance-free (service life at 20°C = 60,000h)
- available with on/off switch or with motion detector
- magnetic attachment for individual mounting in the cabinet

Connection sockets and connections must be ordered separately!

Description	Order no.
LED cabinet light with switch	640-143-05
LED cabinet light with motion detector	640-143-06
Connection socket without cord	640-143-07
Connection socket with Euro plug, L=2,5m	640-143-08



Document pocket



- self-adhesive
- heat-resistant up to 60°C
- your company's logo can be affixed

Material:

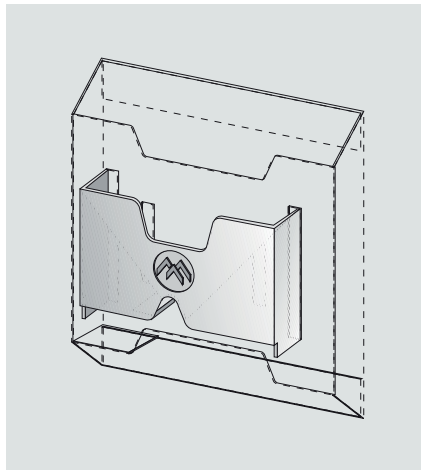
plastic, black

Load capacity:

3 kg

Order no.
640-100

CD holder for document pocket



- practical supplement
- the CD/diskette holder can be hung in the document pocket

Material:

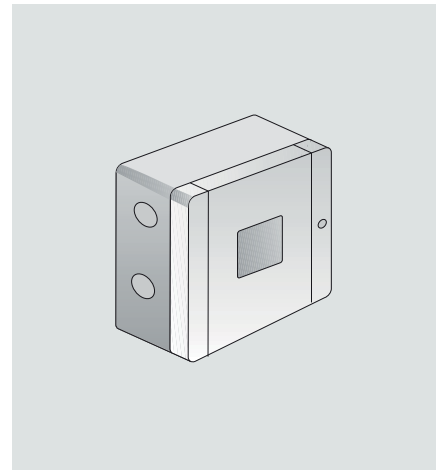
aluminium 2 mm

Finish:

RAL 7035 light grey

Order no.
640-100-10

Mains socket



- cable distribution socket
- easy and quick assembly

Order no.
640-059

„Universal“ velcro strip



- for quickly securing non 19"-compatible components
- length: 300 mm, width: 20 mm
- back to back mounting
- set = 10 pieces

Material:

velcro, black

Order no.
671-122-08

Velcro mount „universal“



- Velcro mount used to accommodate velcro up to w=20 mm
- for screws M4 (not included)
- set = 10 pieces

Material:

plastic

Order no.
583-001-08



19" top hat rail support 3 U

- for a recessed mounting of top hat rail enclosures at 19" levels of cabinets, racks or enclosures
- standard fitted with top hat rail TS 35 (width 425 mm)
- perfect to mount the top hat rail enclosures apraRail
- integrated cable guarding and strain-relief by cable clip bar

Material:

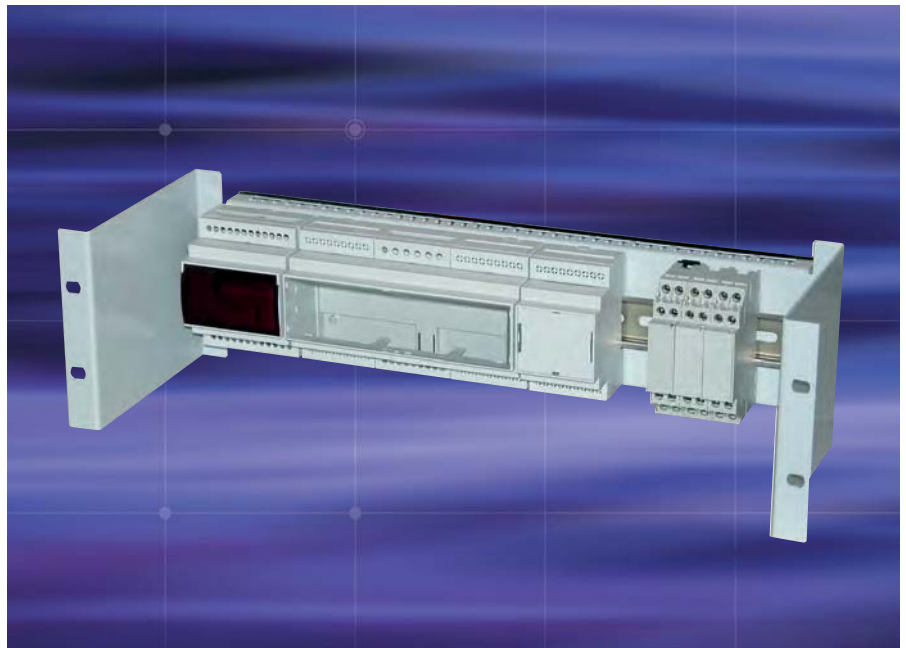
sheet metal 1,5 mm

Finish:

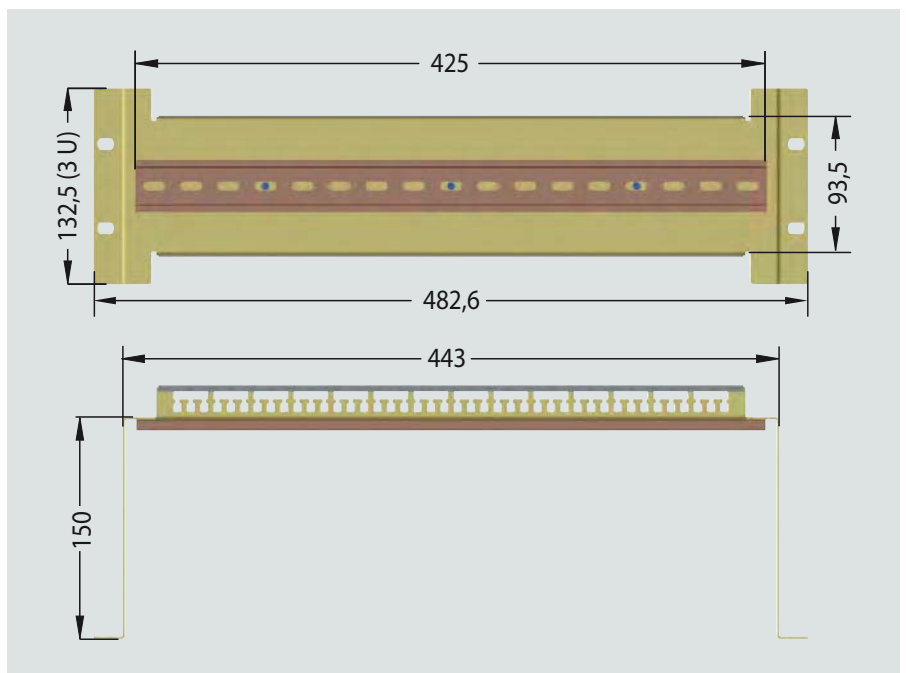
galvanised or
RAL 7035 light grey

Delivery:

not assembled, with mounting material



Other top hat rail types, installation widths, heights or depths available on request!



19" top hat rail support 3 U	Order no.
galvanised	205-420-00
RAL 7035	205-420-10
Protection against contact	Order no.
galvanised	205-420-20
RAL 7035	205-420-25



19" power distribution unit 3 U for automatic circuit breakers

- for the installation of automatic circuit breakers
- fast access to the wiring space
- stable accommodation of components acc. to DIN 43 880 in sizes 1-3
- strain relief of the rear-side cable via cable guard rail

Material:

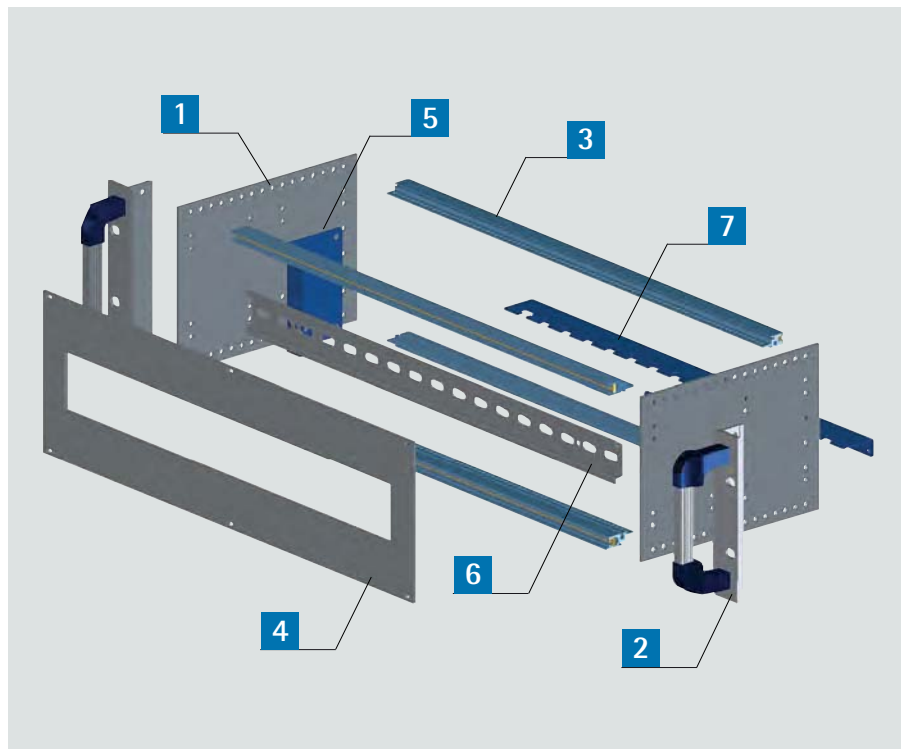
side panels: aluminium 2,5 mm
 module rail: aluminium profile
 front bracket: aluminium profile

Finish: transparent, chromated

Delivery: assembly set



Sample configuration with cover sheets (customised)



Order no.
245-311-80

Scope of delivery

Item	Pc.	Description
1	2	Side panels
2	2	Front brackets with handles
3	4	Module rails
4	1	Front panel
5	2	Angle brackets
6	1	Top hat rail TS 35
7	1	Cable guard rail
8	1	Mounting hardware

Accessories

Cover sheet closed

- for bottom and top mounting

Material: aluminium 1 mm

Order no.
240-662-85

Cover strip S 35 G

- to conceal the front panel openings
- Length: 219 mm

Material: plastic

Order no.
640-222-00



19" universal plug-in unit

- EMC-compliant basic design
- suitable for telescoping rails
- various dimensions
- can be customised to your needs
- high stability
- variable extension due to mounting grids in the side walls
- 19" installation dimensions acc. to IEC 297-1
- standard types or individually configurable

Application:

universal, extremely strong plug-in system

Finish:

front panel:

RAL 7035 light grey

chassis: galvanised

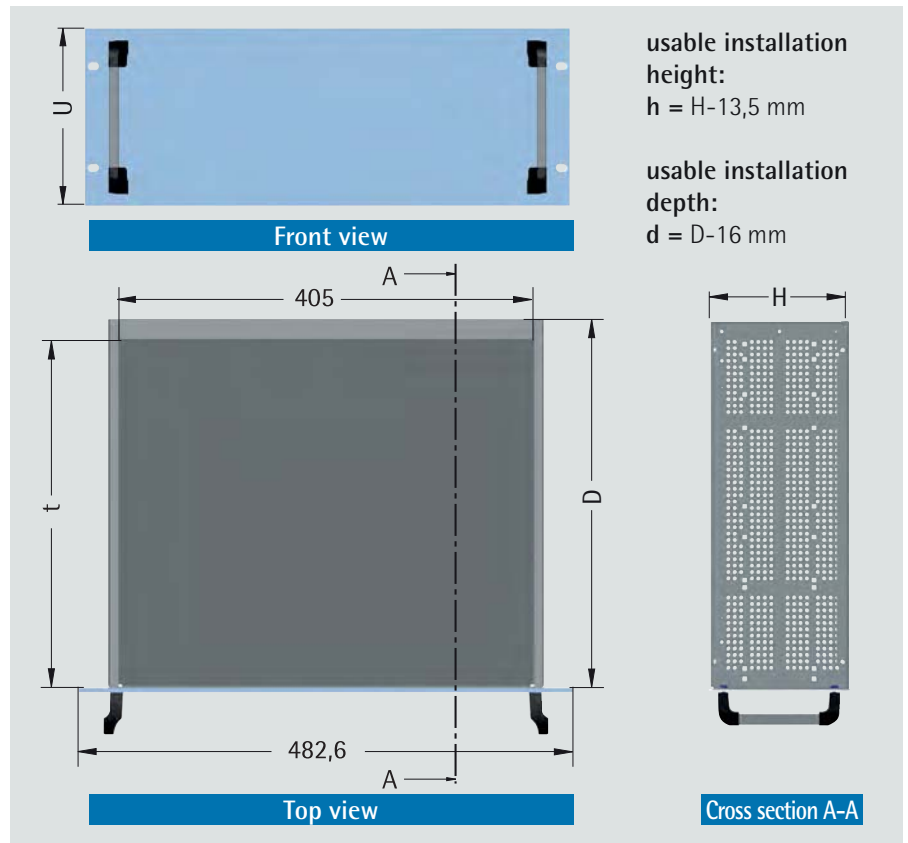
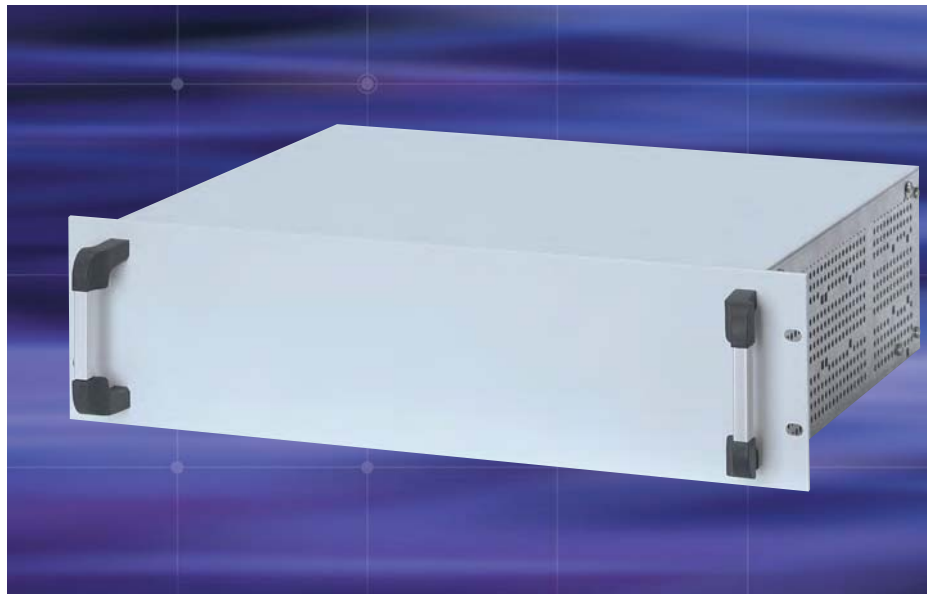
Material:

front panel: aluminium, 4mm

chassis: sheet steel 1,5 mm

Delivery form:

not assembled



Scope of delivery

Item	Pc.	Description
1	1	Front panel, 4mm
2	2	Handles
3	2	Side panels
4	1	Rear panel
5	1	Chassis panel
6	1	Top panel
7		Assembly material

Installation height		Order no.		
U	H mm	D=260 mm	D=360 mm	D=460 mm
2	88	205-026-20	205-036-20	205-046-20
3	132,5	205-026-30	205-036-30	205-046-30
4	177	205-026-40	205-036-40	205-046-40
5	221,5	205-026-50	205-036-50	205-046-50
6	266	205-026-60	205-036-60	205-046-60



269 • 19" flat module 1 U / 2 U

- all-purpose
- cost-efficient sheet metal design
- robust construction
- individual machining possible
- EMC compatible basic construction
- design cover panels on request
- 19" mounting sizes acc. to IEC 297-1
- 2 models available

This new generation of 19" flat modules 1 U and 2 U features high rigidity, modularity, large internal dimensions as well as a cost-efficient sheet metal design. The modules may be versatily used in the fields of telecommunication, networking, industry or audio and video. Its excellent EMC compatible basic construction allows for a reliable EMC shielding of more than 50 dB in the range of 40 to 900 MHz. Another important feature is the user-friendly easy to install locking top cover.

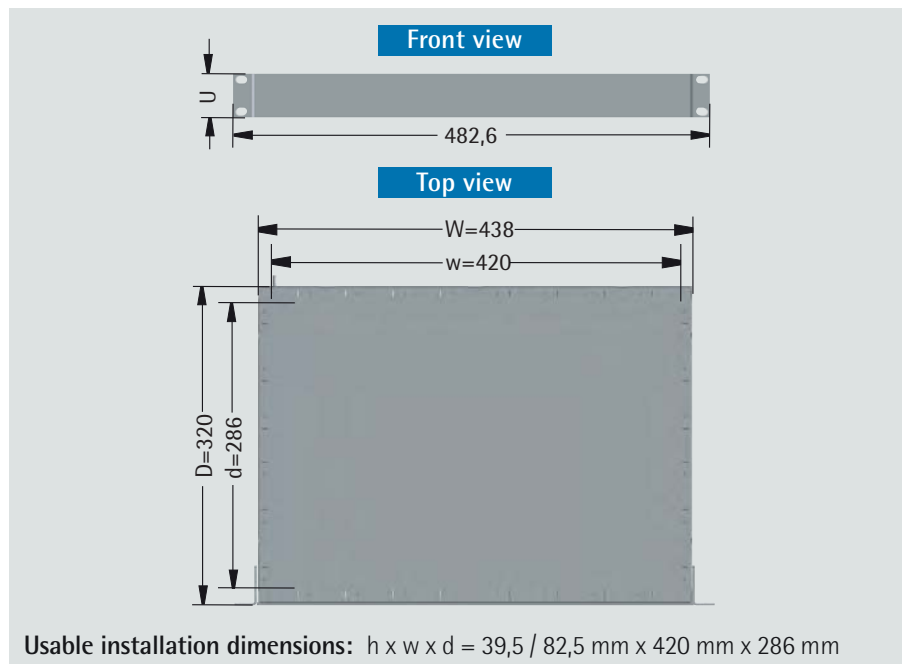
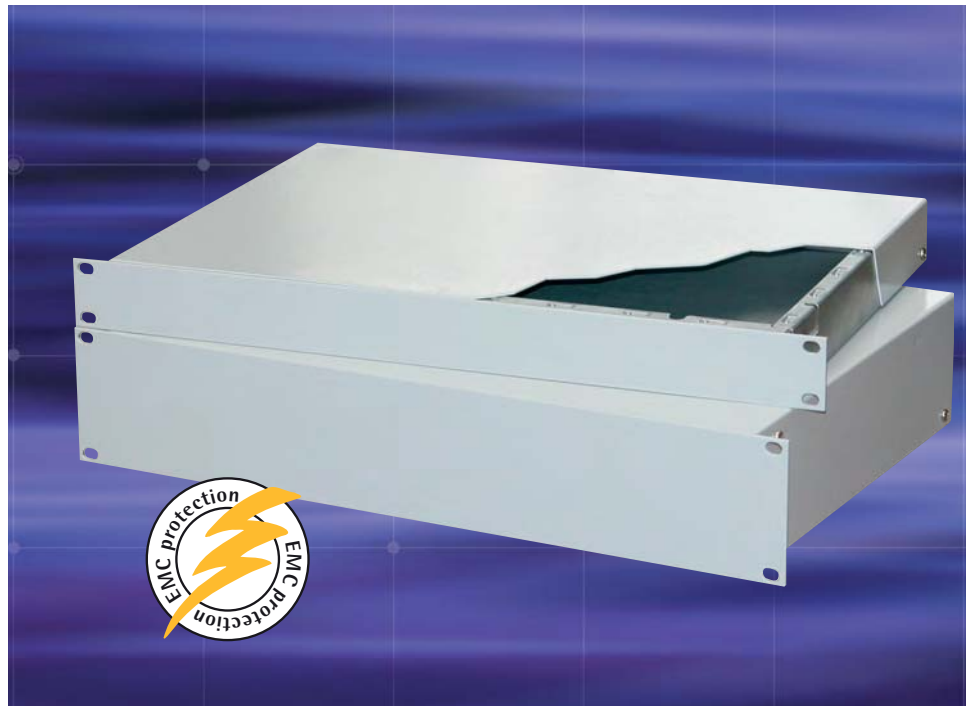
Two different models are available: model **A** with detachable front brackets and model **B** with a continuous 19" front panel converting the plug-in module to a bench case.

On request the flat modules may be supplied with design cover panels from metal, plastics or even from wood. Of course, individual machining like silk screening, digital printing, cut-outs, foil keypads, plexiglass inserts, etc. are possible.

Finish:
front panel RAL 7035 light grey

Material:
front panel: aluminium 3 mm
chassis/top cover: sheet metal 1 mm

Delivery:
kit form, mounting material included



Model	Description	Depth D mm	Order no.
A	19" flat module 1 U	320	269-201-00
B	19" flat module 1 U	320	269-201-10
A	19" flat module 2 U	320	269-202-00
B	19" flat module 2 U	320	269-202-10



apra-group - we see the big picture

Our products

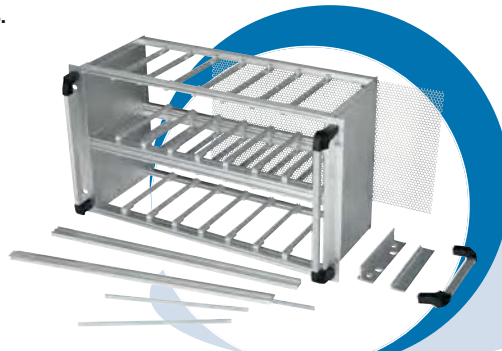
... are the result of the perfect symbiosis between the apra-group companies.

Just ask us!

We will be pleased to develop the perfect shell for valuable electronics with you.



Panel instrument cases and enclosures for top hat rail



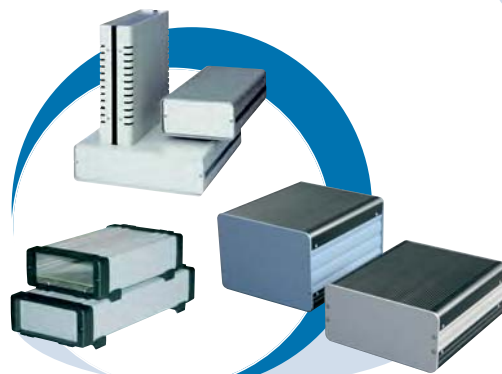
19" subracks



Customised enclosures made of plastic



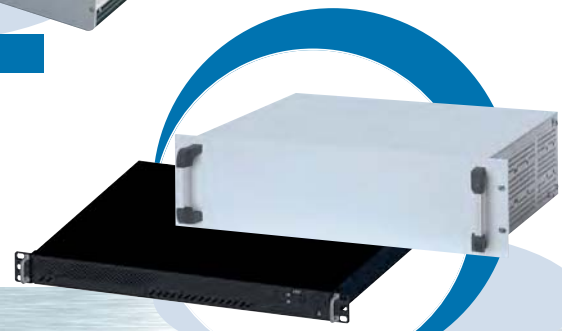
Desktop enclosures, 19" enclosure systems



Small enclosures



19" cabinets, 19" racks



19" plug-in units



The apra-group · Die apra-gruppe · Le groupe apra



apra-norm Elektromechnik GmbH

Bei der untersten Mühle 5 · D-54552 Mehren/Vulkaneifel
Tel.: +49 (0) 65 92 204-0 · Fax: +49 (0) 65 92 20 4-100
vertrieb@apra.de · www.apra.de



apra-plast Kunststoffgehäuse-Systeme GmbH

Hamsterweg 9 · D-54550 Daun-Pützborn
Tel.: +49 (0) 65 92 95 02-0 · Fax: +49 (0) 65 92 95 02-10
vertrieb@apra-plast.de · www.apra-plast.de



apra-norm Elektromechnik GmbH - Abteilung radaplast: Spritzguss und Werkzeugbau -

Hamsterweg 7 · D-54550 Daun-Pützborn
Tel.: +49 (0) 65 92 20 4-0 · Fax: +49 (0) 65 9220 4-100
vertrieb@apra.de · www.apra.de



apra-gerätebau GmbH & Co. KG Chemnitz

Südstraße 15 · Gewerbegebiet Süd · D-09221 Neukirchen
Tel.: +49 (0) 371 28 12 4-0 · Fax: +49 (0) 371 28 12 4-20
vertrieb@apra-geraetebau.de · www.apra-geraetebau.de



apraNET Geschäftsbereich Netzwerktechnik der apra-norm Elektromechnik GmbH

Bei der untersten Mühle 5 · D-54552 Mehren/Vulkaneifel
Tel.: +49 (0) 65 92 95 12-0 · Fax: +49 (0) 65 92 95 12-50
vertrieb@apranet.de · www.apranet.de



apra-norm Elektromechnik GmbH - Abteilung Elektromontage -

D-54550 Daun-Boverath

apra-norm s.n.c.

ZA de l'aérodrome
4, rue Clément Ader · F-67500 Haguenau
Tel.: 0033 (0) 3 88 93 96 96 · Fax: 0033 (0) 3 88 93 96 92
commercial@apra-norm.fr · www.apra-norm.fr

apra-optinet Sp. z o.o.

ul. Cygana 4a · PL-45-131 Opole
Tel.: 0048 (0) 77 415 0 107 · Fax: 0048 (0) 77 415 0 161
sales@apra-optinet.pl · www.apra-optinet.pl



... the perfect shell for valuable electronics